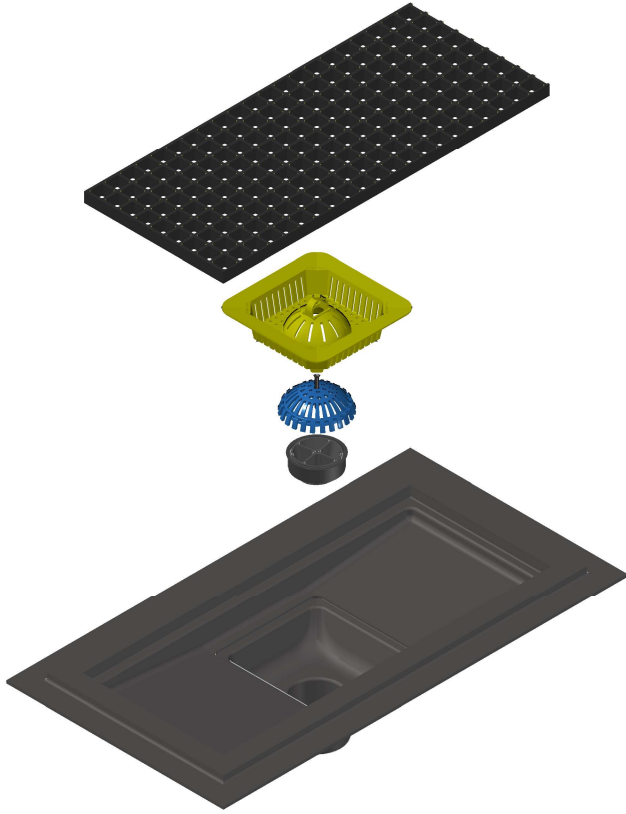
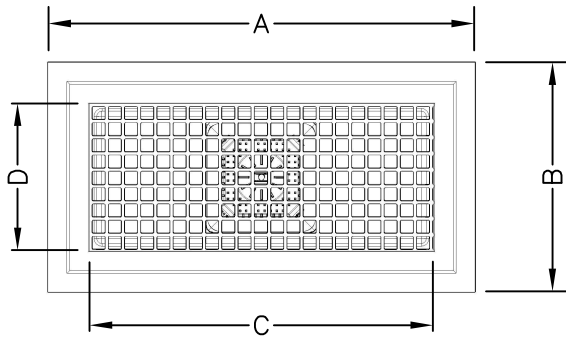
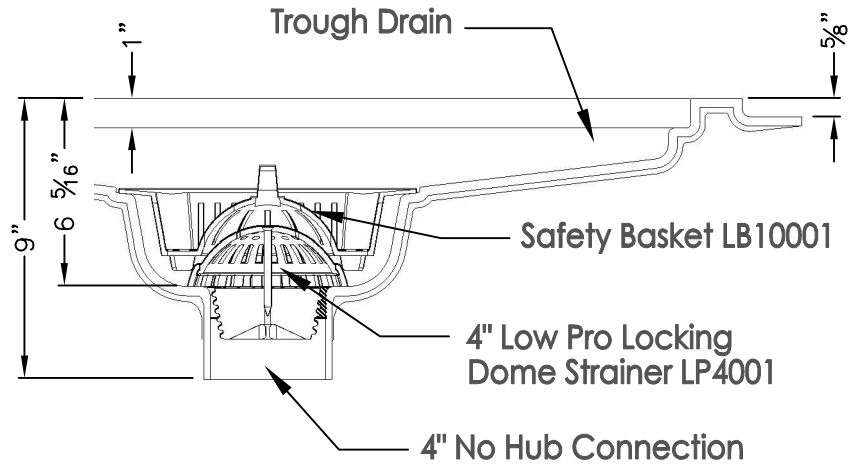


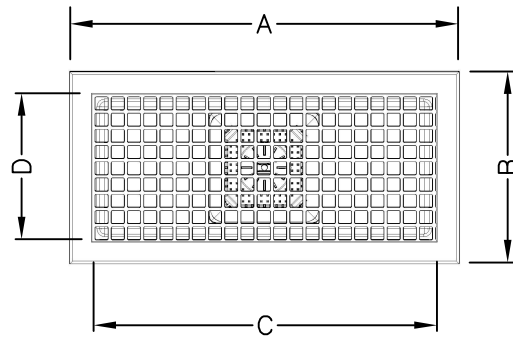
SPEC SHEET



The PermaDrain Trough Drain vacates large volumes of liquid up to 212°F while filtering and capturing debris to prevent clogged drain lines. The Trough Drain body is thermoformed from a highly durable and impact resistant blend of polycarbonate and ABS. The underside is coated with fiberglass to maintain a rigid structure. Trough Drain's Grate is constructed from fiberglass with 1¼" square holes and is capable of working loads up to 950 pound per square foot.



(with flange for finished floor)



(LF = less flange for finished concrete)

MODEL	Nom. Size	A	B	C	D
TD1365	1' x 3'	3' - 3½"	1' - 9¼"	2' - 8"	1' - 2"
TD1365LF	1' x 3'	3'	1' - 6"	2' - 8"	1' - 2"
TD1665	1' x 6'	6' - 4"	1' - 9¼"	5' - 8½"	1' - 2"
TD1665LF	1' x 6'	6' - ½"	1' - 6"	5' - 8½"	1' - 2"