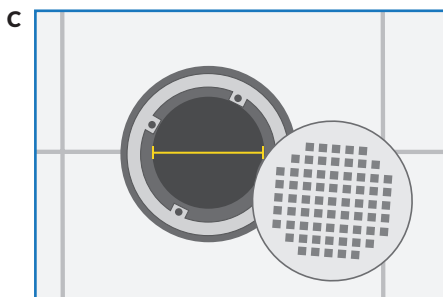
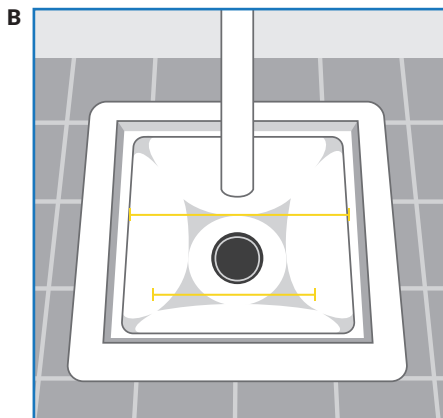
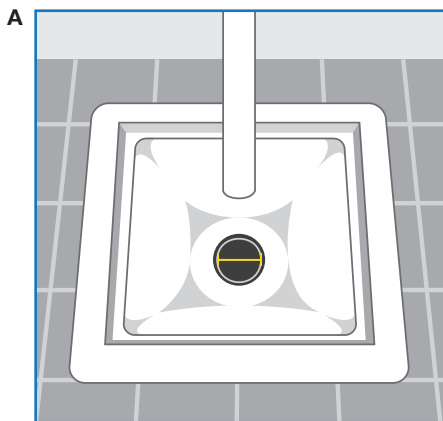




**When taking measurements of your floor sinks, here are some important tips to remember to ensure we provide you with the proper sized Locking Dome Strainers and Safety Baskets:**



- Measure the diameter of the drain pipe below your drain opening in your floor sinks and mop sink. In some rare instances, the pipe below the opening may be smaller than the drain opening itself. Also, flat strainers in your mop sink are often removed. (see image A)
- When measuring for your Safety Basket, first determine whether this floor sink will drain a high volume of liquid (i.e. dishwasher or 3 compartment sink) or a low volume of water (i.e. an ice well behind the bar or an ice machine drainage). For a low flow area, measurements may be taken at the inner lip or rim of the floor sinks. This will allow the basket to sit higher for easier access. For high volume areas, measurements should be taken wall to wall, about a third from the bottom of the floor sink. This will ensure that the basket sits atop the dome strainer at its lowest point. This will minimize the amount of splash you may encounter as large volumes drain. (see image B)
- For floor sinks in walkways where a grate cover is necessary to prevent a trip hazard, request a "Low Pro Locking Dome Strainer Kit." Determine the size of the drain pipe running below the the floor sink and order the corresponding 2", 3", or 4" Low Pro Locking Dome Strainer Kit. The Low Pro Dome provides more clearance between the drain grate and the Safety Basket, allowing you to use both your Safety Basket to collect debris, while the drain grate protects against slips, trips, and falls. (see image C)