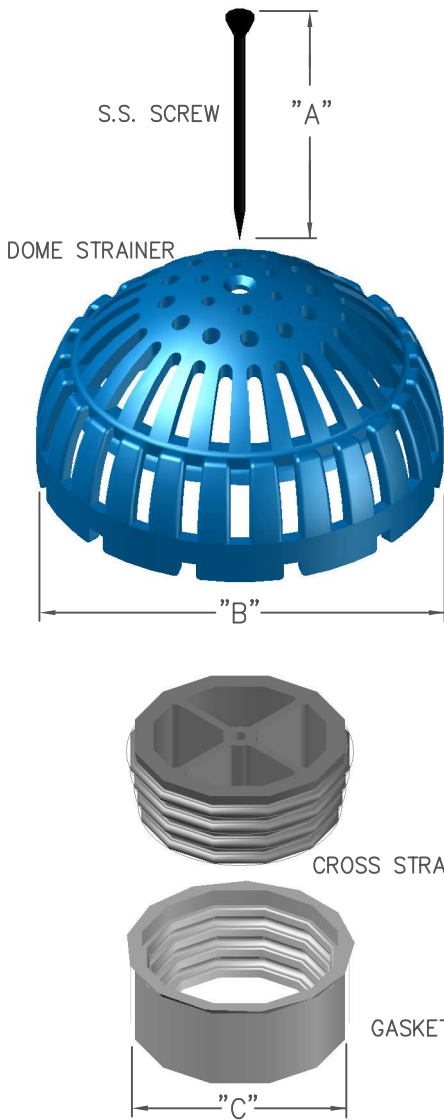




# Locking Dome Strainer Kit



PermaDrain® Locking Dome Strainer Kits meet or exceed UPC 810.4–Strainers, and IPC 802.3–Waste Receptors as referenced below:

Waste receptors shall be of an approved type. A removable strainer or basket shall cover the waste outlet of waste receptors

### Description

PermaDrain Locking Dome Strainer Kits are designed to prevent debris from entering the drain openings of indirect waste receptors. They are designed for use in new construction and retro-fit applications for drains in existing buildings.

### Construction

1–#14 x 6” type 316 stainless steel screw for superior corrosion resistance.

1–5 1/2”W x 3” H Dome Strainer made from engineered polymers to provide impact resistance, chemical resistance and heat resistance up to 215 degrees Fahrenheit.

1–Cross–Strainer™ made from engineered polymers to provide impact resistance, chemical resistance and heat resistance up to 215 degrees Fahrenheit.

2–Gaskets made from polyurethane to ensure a proper fit in various applications.

NOMINAL PIPE SIZE	MODEL#	"A"	"B"	"C"-(PVC GASKET)	"C"-(CAST IRON GASKET)
2"	PD-2005	6"	5 1/2"	1.95"-2.00"	2.00"-2.05"
3"	PD-3005	6"	5 1/2"	2.95"-3.00"	3.00"-3.05"
4"	PD-4005	6"	5 1/2"	3.95"-4.00"	4.00"-4.05"